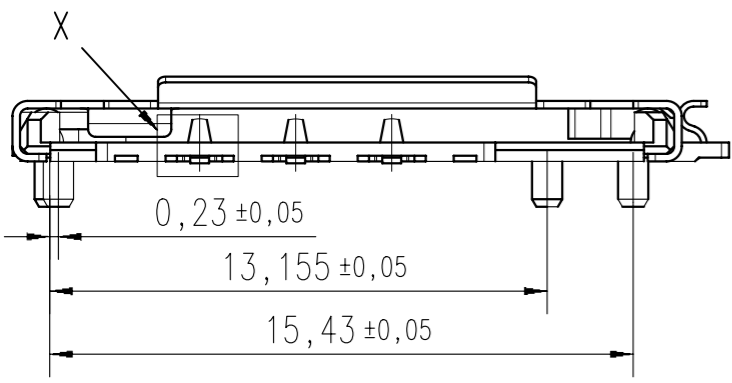
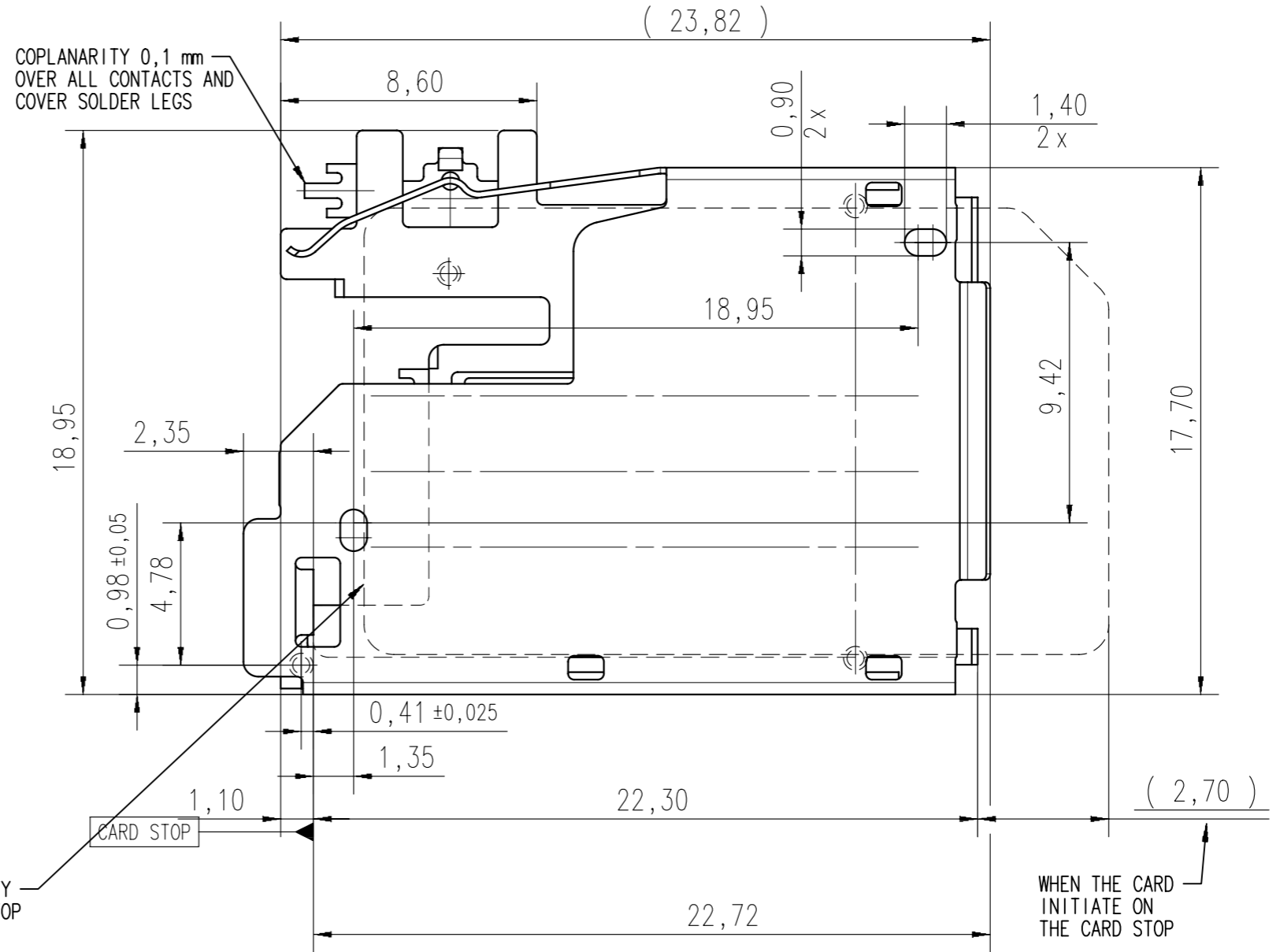
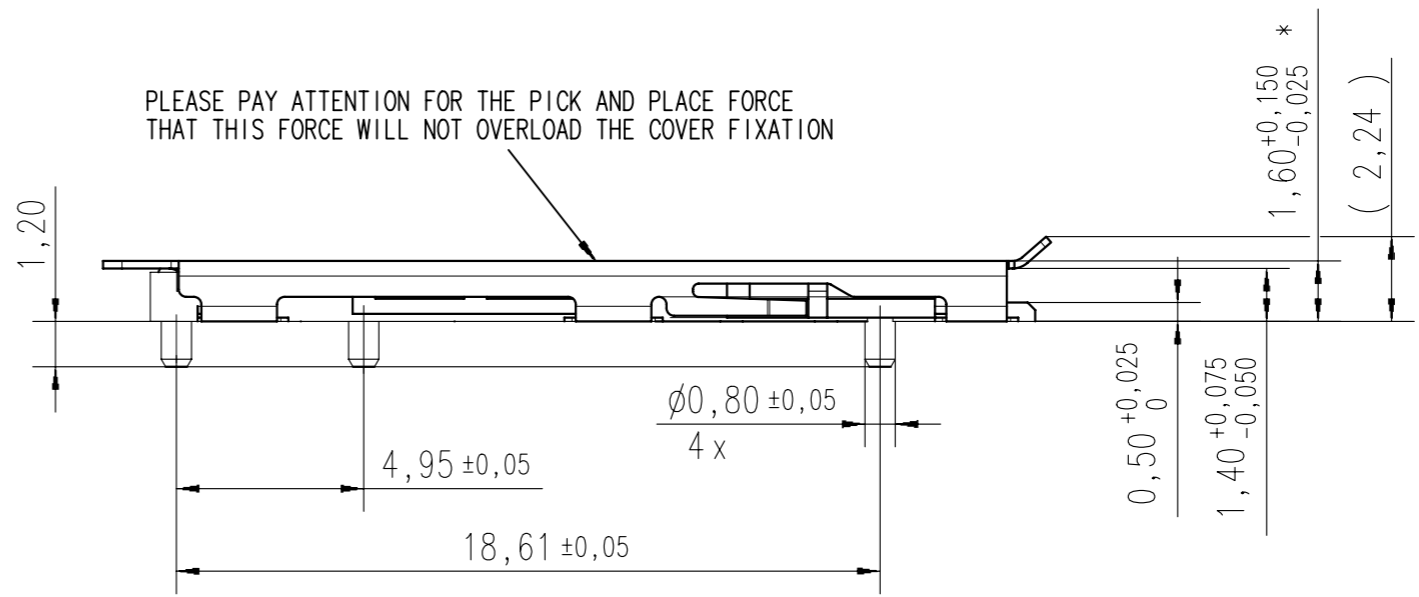


* HEIGHT WITH FLAT SOLDER LEGS
 FOR BENDED SOLDER LEGS ADDITIONAL HEIGHT REQUIRED



PLEASE PAY ATTENTION FOR THE PICK AND PLACE FORCE
 THAT THIS FORCE WILL NOT OVERLOAD THE COVER FIXATION

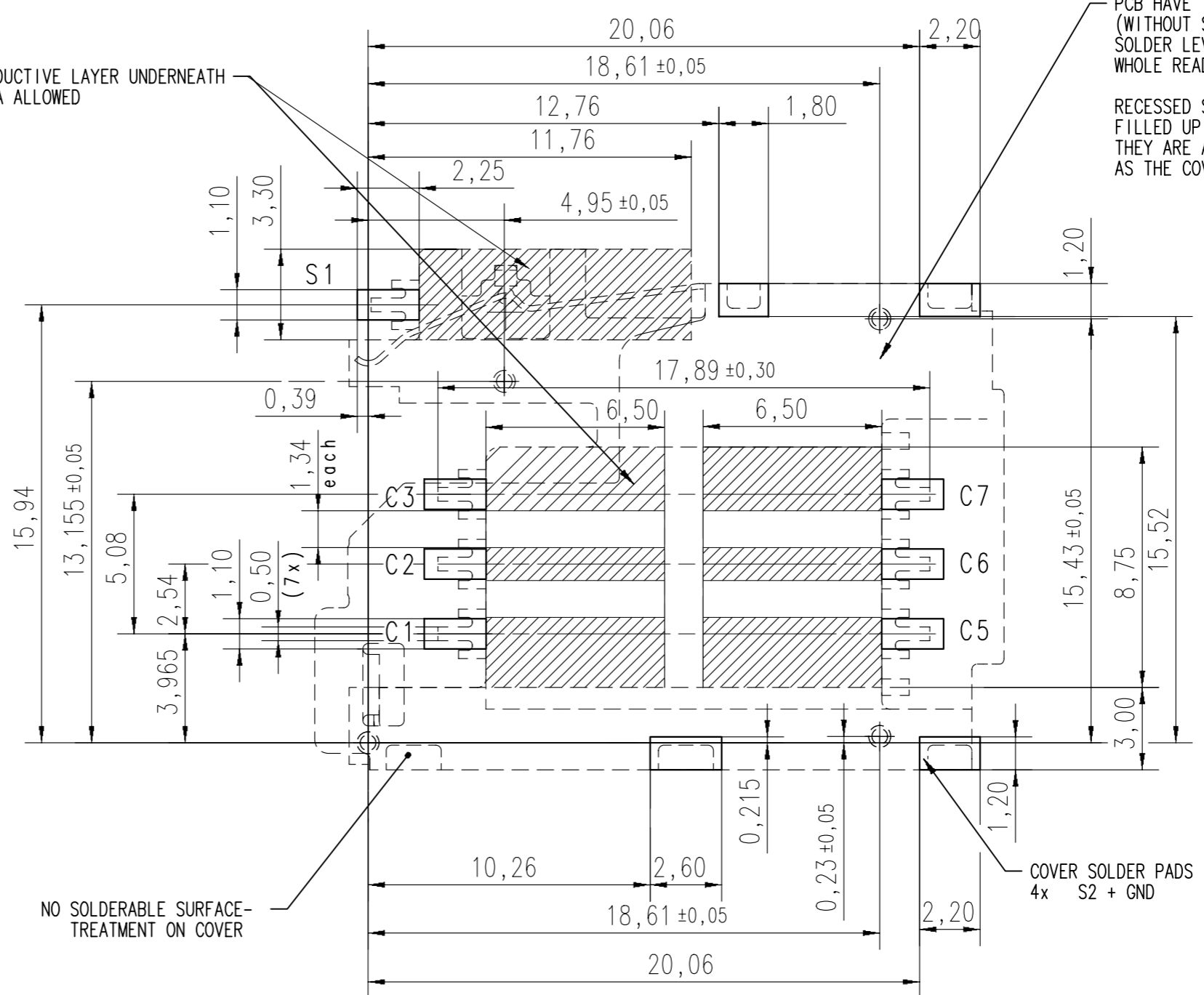


TO GUARANTEE THE SWITCH FUNCTIONALITY
 THE CARD HAVE TO STAY ON THE CARD STOP
 WITH A MAXIMUM DISTANCE OF 0,2 mm

WHEN THE CARD
 INITIATE ON
 THE CARD STOP

PCB LAYOUT PROPOSAL

NO TRACKS OR OTHER CONDUCTIVE LAYER UNDERNEATH
 THE READER IN THIS AREA ALLOWED



PCB HAVE TO BE ABSOLUTE FLAT
 (WITHOUT STEPS ABOVE OR BELOW
 SOLDER LEVEL UNDERNEATH THE
 WHOLE READER)

RECESSED SOLDER PADS HAVE TO BE
 FILLED UP WITH SOLDER PASTE UNTIL
 THEY ARE AT THE SAME HEIGHT LEVEL
 AS THE COVER LAYER

NO SOLDERABLE SURFACE-
 TREATMENT ON COVER

ALL SURFACE BELOW THE READER ISOLATED WITH COVER
 FOIL EXCEPTIONAL THE AREA OF THE SOLDER PADS